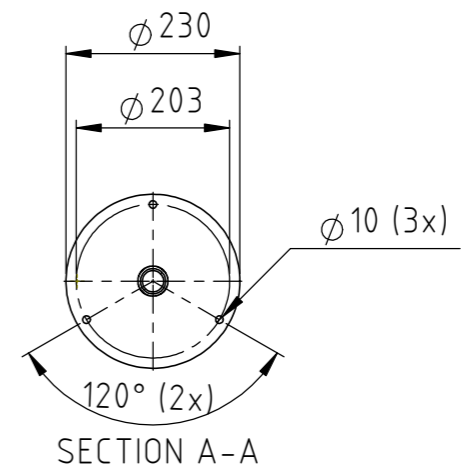
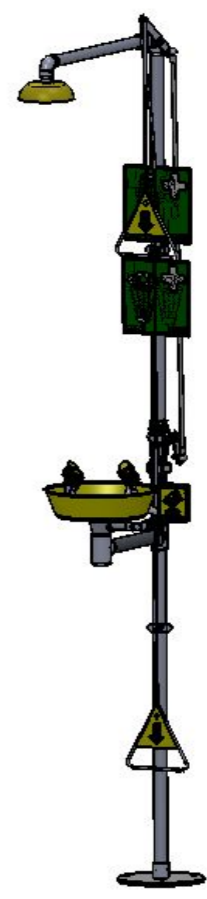
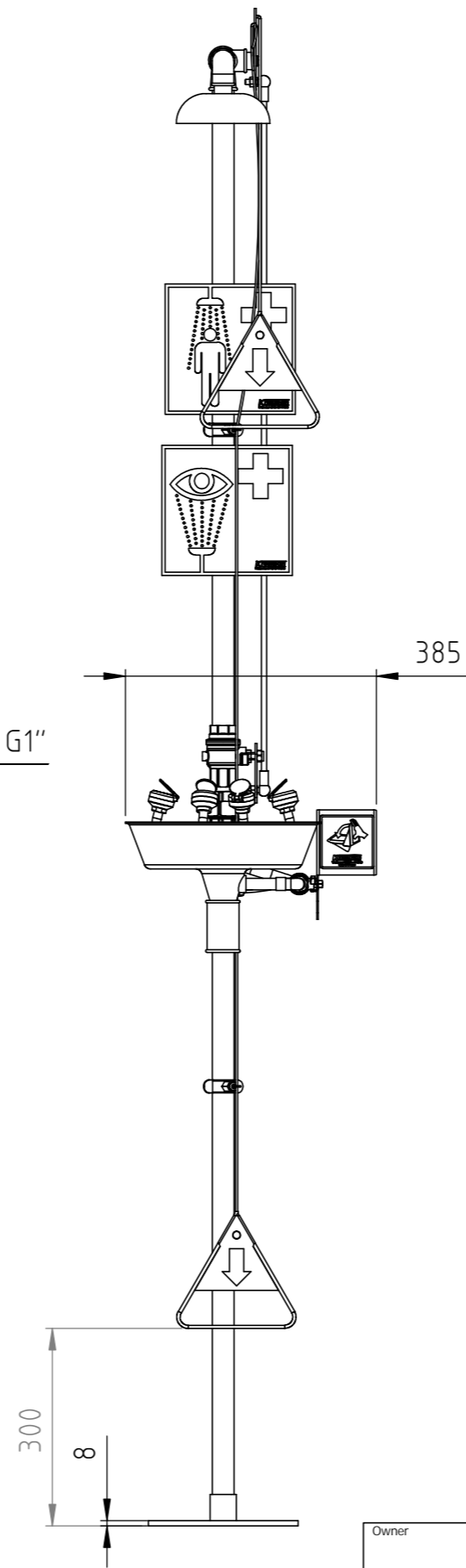


Pipe joint
Water inlet BSP G1"

Drain BSP
G1 1/4"



This document must not be copied without our written permission, and the contents thereof must not be imparted to a third party nor be used for any unauthorized purpose. Contravention will be prosecuted.

Rev.	Description	Date	Sign.
3	Drawing updated	2017-11-23	MM
2	Drawing updated	2017-11-21	MM
1	Drawing updated	2016-01-11	FaAn
-	New drawing	2013-10-03	MRT

Revision Notice:
This drawing is not the latest version for the product.
Minor component modifications are forthcoming, but user impact will be negligible.
Updated drawings expected in November 2023.

Owner	Prepared by MRT	Approved by DK	Date 2013-10-03	Scale 1:10	
				Emergency shower Model 8020-00 Installation drawing	
Phone: +46-(0)21-14 92 00 Website: www.krusman.com				General Tolerances ISO 2768-c	
				Drawing No. R8020	
			Rev. 3	Sheet 1 (1)	