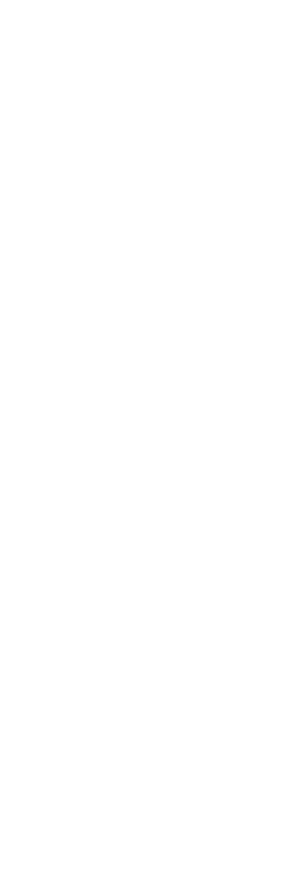
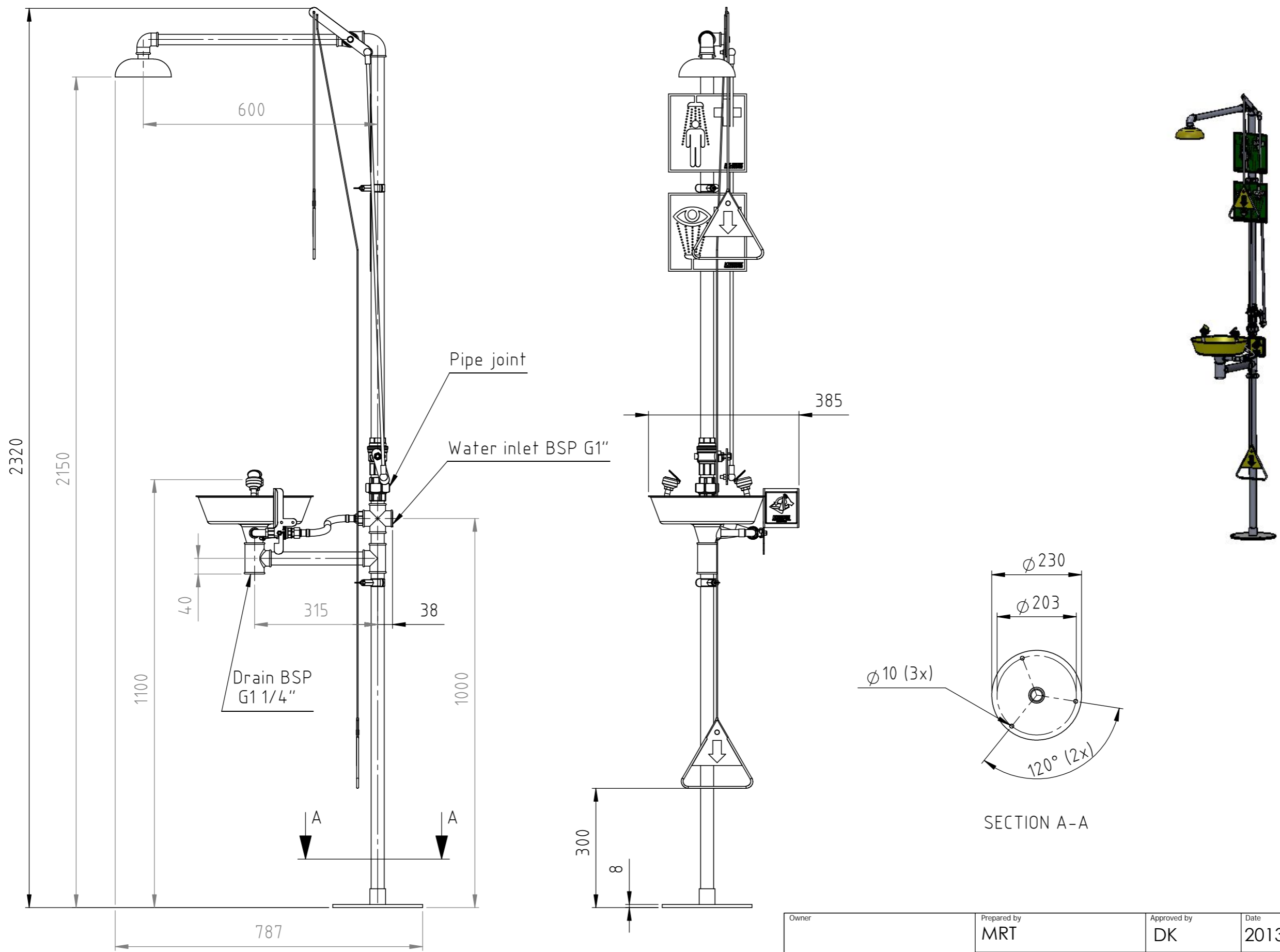


This document must not be copied without our written permission, and the contents thereof must not be imparted to a third party nor be used for any unauthorized purpose. Contravention will be prosecuted.



Rev.	Description	Date	Sign.
4	Drawing updated	2017-11-23	MM
3	Drawing updated	2017-11-21	MM
2	Drawing updated	2016-01-13	FaAn
1	Drawing update	2015-03-09	FaAn

Revision Notice:
 This drawing is not the latest version for the product.
 Minor component modifications are forthcoming, but user impact will be negligible.
 Updated drawings expected in November 2023.

Owner	Prepared by	Approved by	Date	Scale	
	MRT	DK	2013-05-02	1:10	
				Title Emergency shower Model 8010-00 Installation drawing	
Phone: +46-(0)21-14 92 00 Website: www.krusman.com				General Tolerances ISO 2768-c	
				Drawing No. R8010	
				Rev. 4	Sheet 1 (1)