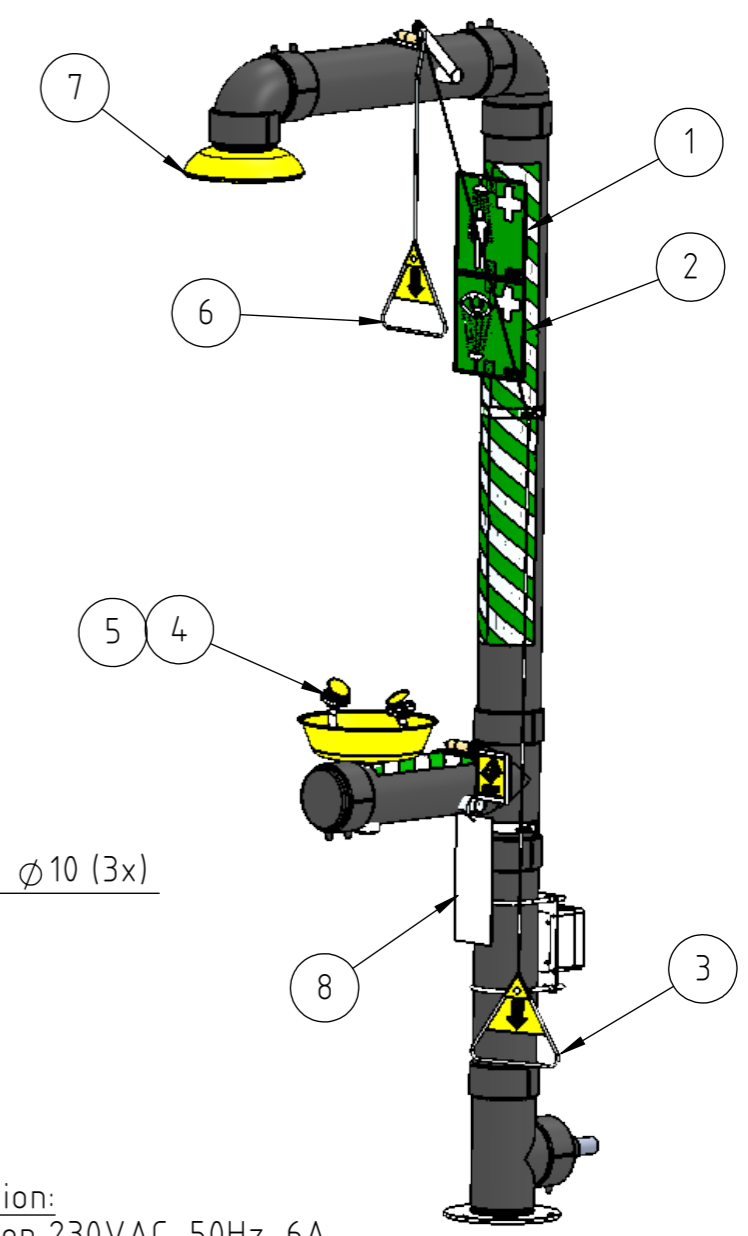


General information:
Power consumption 230VAC, 50Hz, 6A



Pos	Quantity	Order number	Description
8	1	KND549	Control card
7	1	KND530	Shower head, stainless steel
6	1	KND532	Pull rod, stainless steel
5	2	KND508	Filter to spray head, 14 litres/minute
4	2	KND507	Spray head, 14 litres/minute
3	1	KND540-100	Pull rod for disabled person
2	1	KND545	Emergency sign, eye wash
1	1	KND547	Emergency sign, shower

Owner	Prepared by MM	Approved by DK	Date 2019-06-03	Scale 1:12	
Krusman EMERGENCY SHOWERS		Title Emergency shower 3895-00		Drawing No. R3895-00	
Phone: +46-(0)21-14 92 00 Website: www.krusman.com		Insulated and heated combination shower with piping made of stainless steel SS316		Rev. 1 Sheet 1 (1)	
Installation drawing					

Revision Notice:
This drawing is not the latest version for the product.
Minor component modifications are forthcoming, but user impact will be negligible.
Updated drawings expected in November 2023.

Rev.	Description	Date	Sign.
1	Drawing updated	2019-06-03	MM

This document must not be copied without our written permission, and the contents thereof must not be imparted to a third party nor be used for any unauthorized purpose. Contravention will be prosecuted.