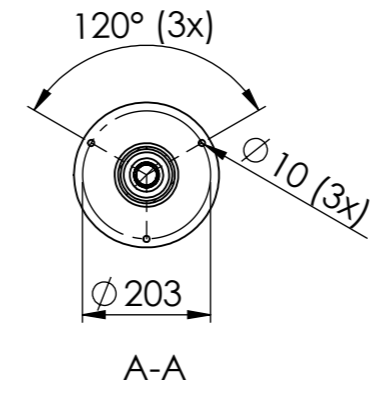
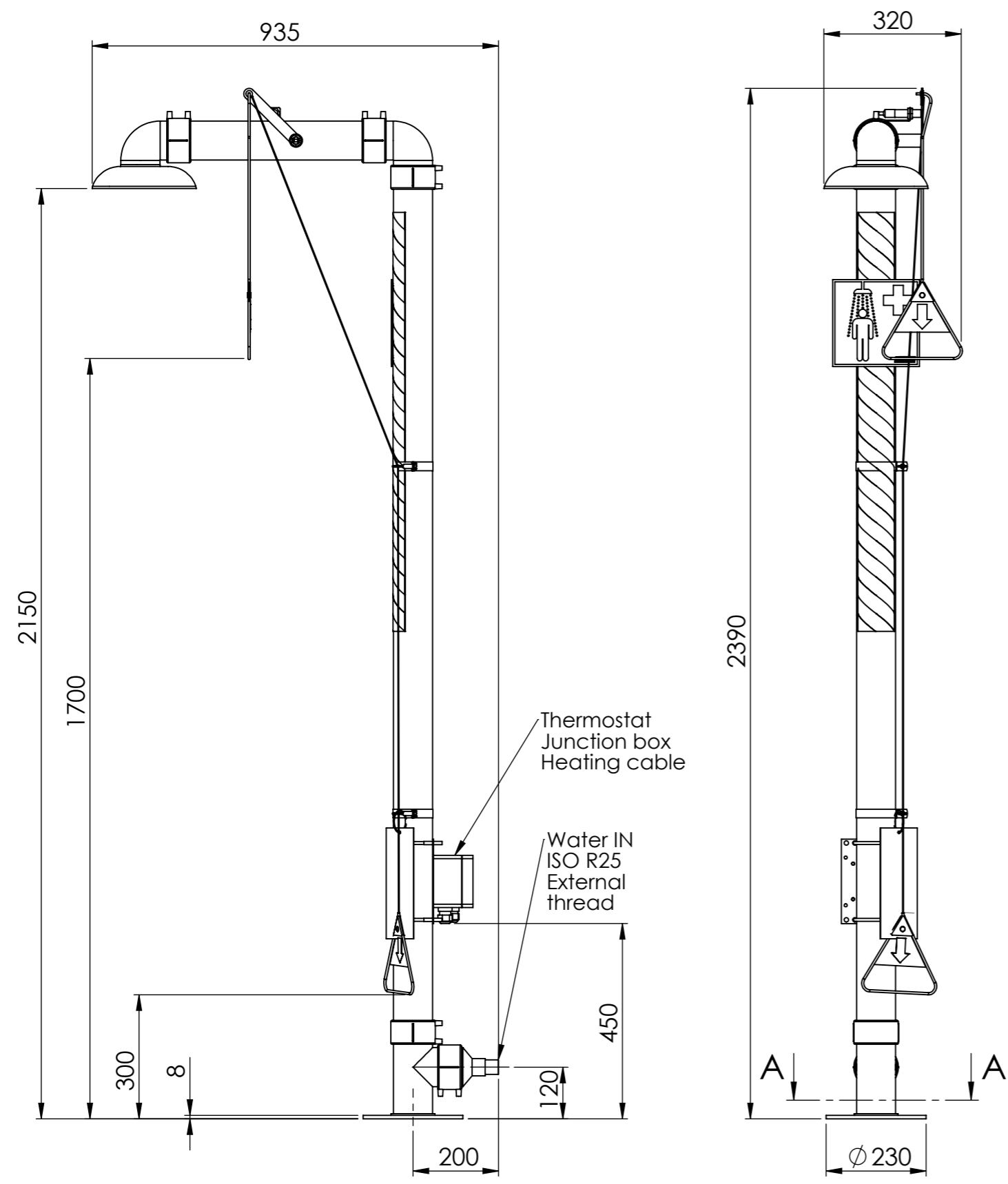
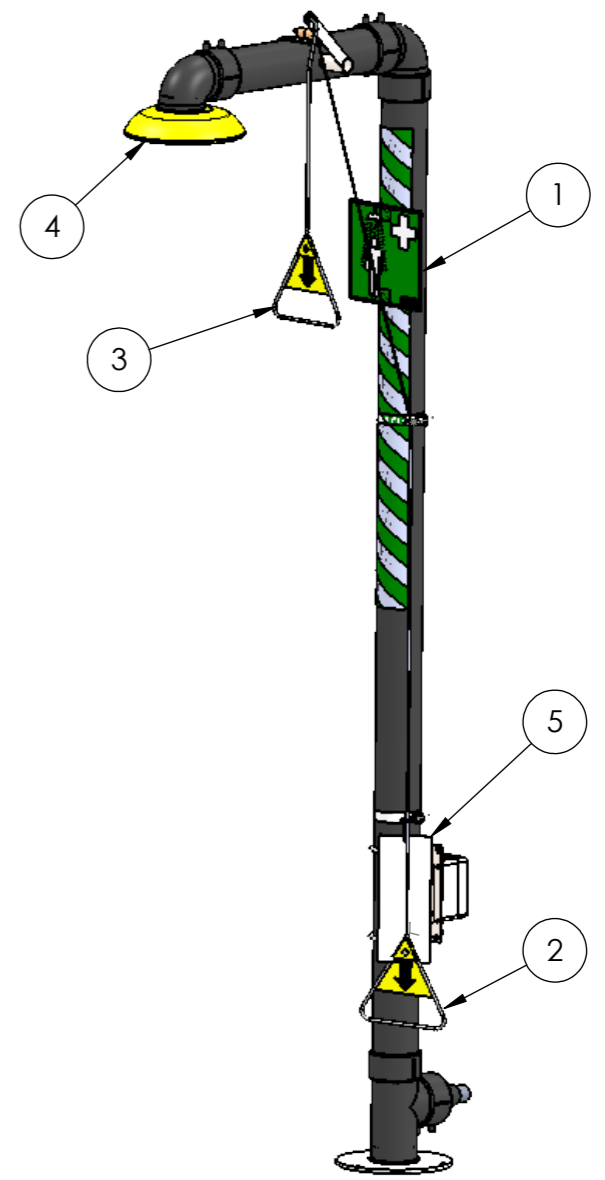


This document must not be copied without our written permission, and the contents thereof must not be imparted to a third party nor be used for any unauthorized purpose. Contravention will be prosecuted.



General information:  
Power consumption 230 VAC, 50Hz, 6A



Pos	Quantity	Order number	Description
5	1	KND549	Control card
4	1	KND530	Shower head, stainless steel
3	1	KND532	Pull rod, stainless steel
2	1	KND540-100	Pull rod for disabled person
1	1	KND547	Emergency sign, shower

**Revision Notice:**  
This drawing is not the latest version for the product.  
Minor component modifications are forthcoming, but user impact will be negligible.  
Updated drawings expected in November 2023.

Rev.	Description	Date	Sign.
1	Drawing template update	2019-06-26	MM

Owner	Prepared by <b>MM</b>	Approved by <b>DK</b>	Date 2019-06-26	Scale 1:12	
<b>Krusman</b> EMERGENCY SHOWERS		Title <b>Emergency shower 3892-00</b>		Drawing No. <b>R3892-00</b>	
Phone: +46-(0)21-14 92 00 Website: www.krusman.com		Insulated emergency shower Stainless steel 316 Installation drawing		Rev. 1	Sheet 1 (1)