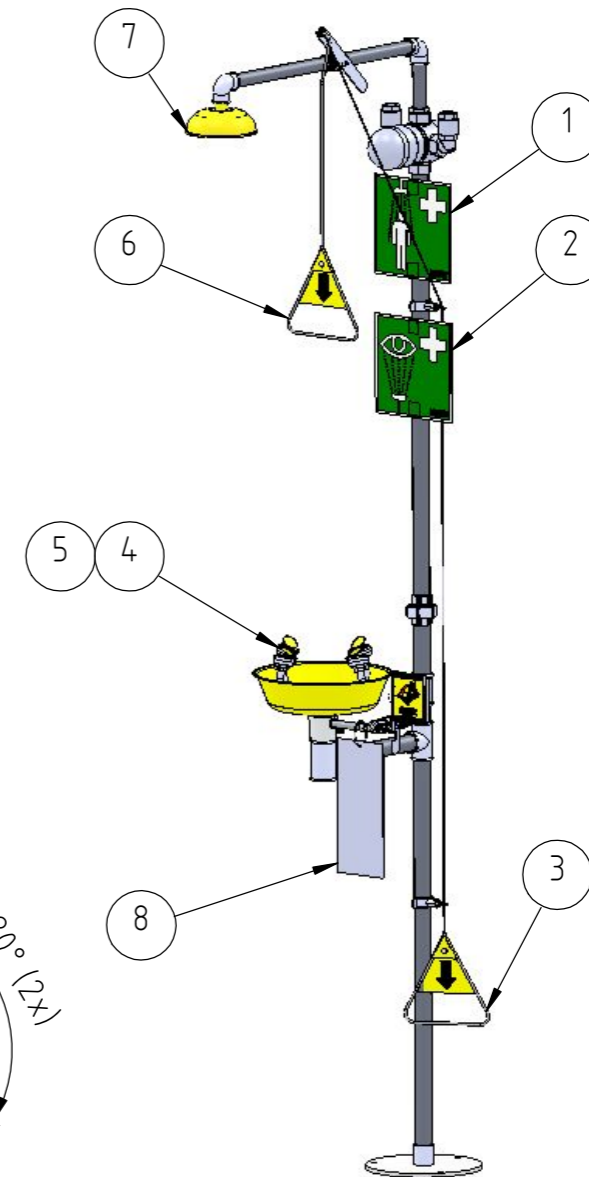
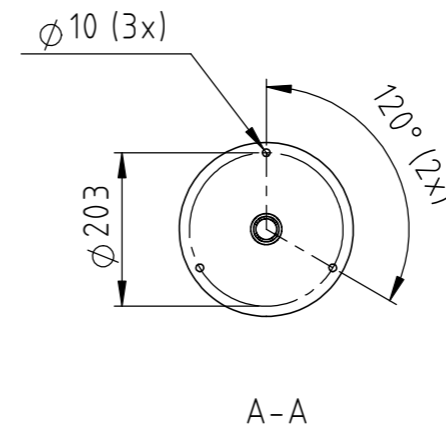
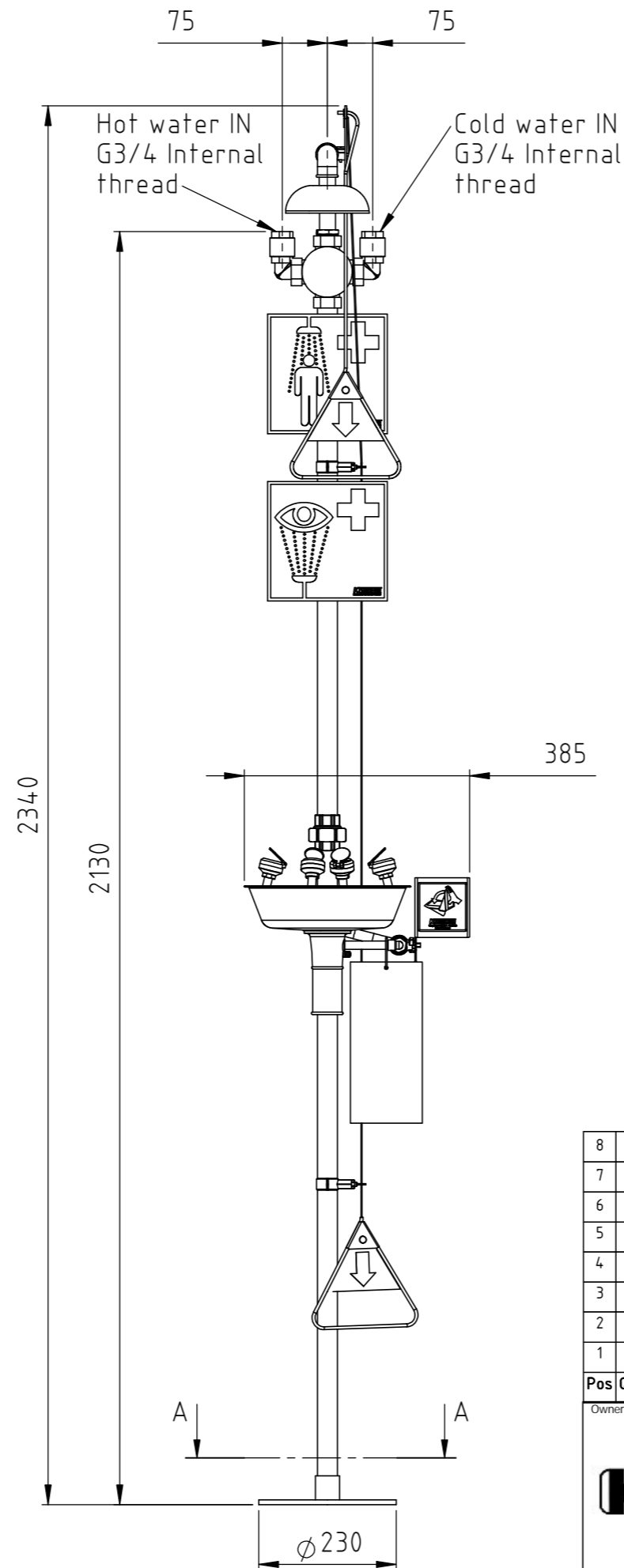
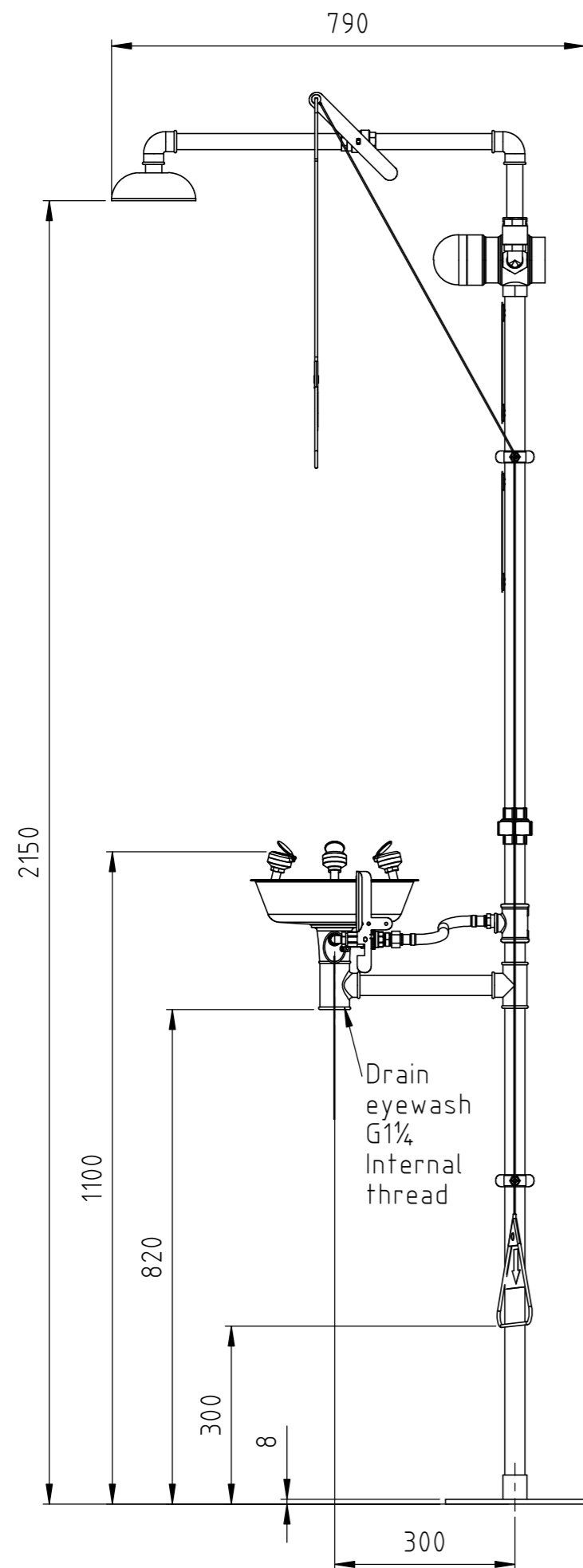


This document must not be copied without our written permission, and the contents thereof must not be imparted to a third party nor be used for any unauthorized purpose. Contravention will be prosecuted.



**Revision Notice:**  
 This drawing is not the latest version for the product. Minor component modifications are forthcoming, but user impact will be negligible. Updated drawings expected in November 2023.

8	1	KND549	Control card
7	1	KND531	Shower head 76 litres/minute, stainless steel
6	1	KND532	Pull rod, stainless steel
5	4	KND506	Filter to spray head, 7 litres/minute
4	4	KND505	Spray head, 7 litres/minute
3	1	KND540-101	Pull rod for disabled person
2	1	KND545	Emergency sign, eye wash
1	1	KND547	Emergency sign, shower

Pos	Quantity	Order number	Description
Owner		Prepared by	Approved by
MM		DK	Date
2018-07-05		Scale	1:10
Title		Drawing No.	
Combination shower		R3883	
3883-00		Rev.	Sheet
Installation drawing		1	1 (1)

1	New drawing format	2018-07-05	MM
Rev.	Description	Date	Sign.