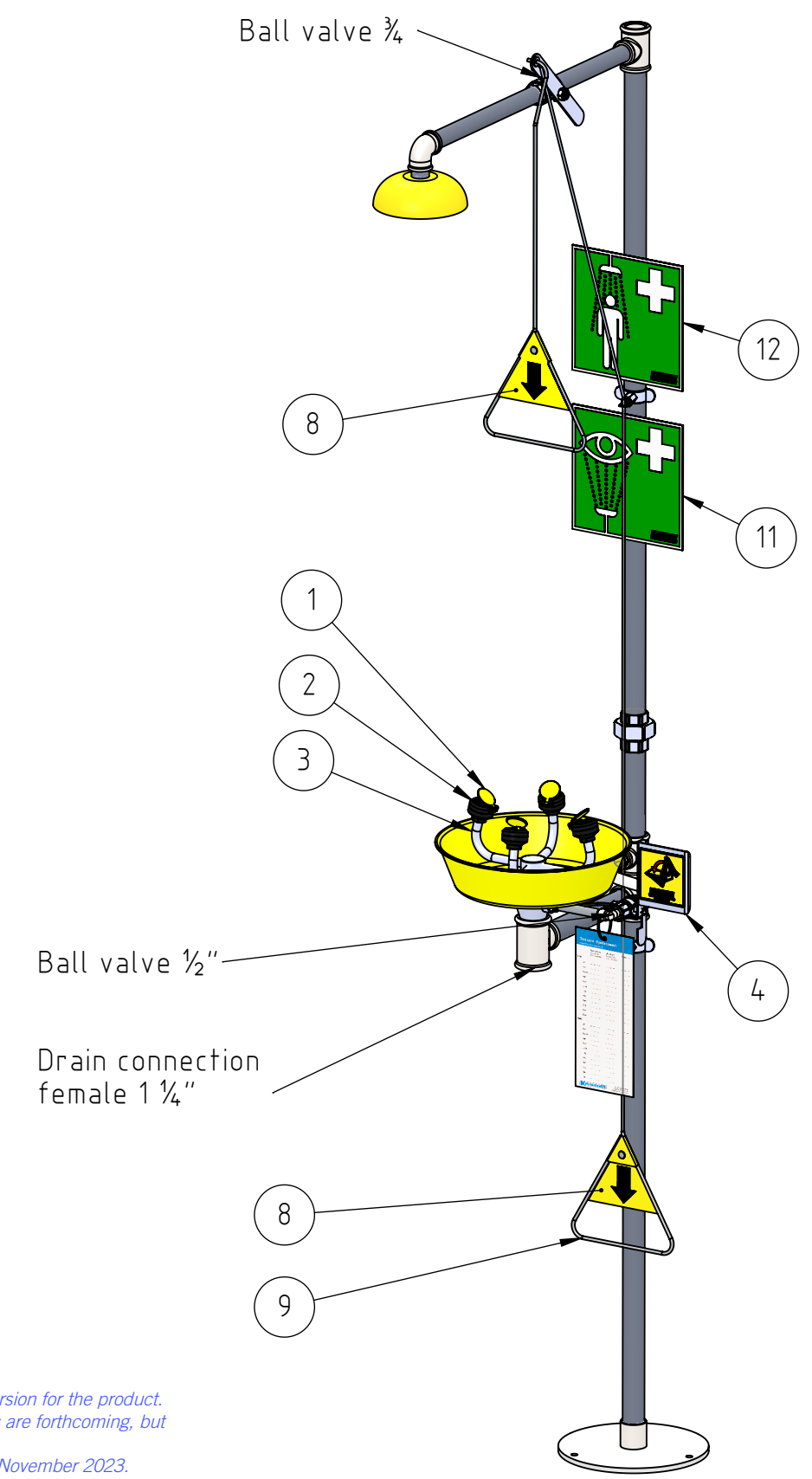
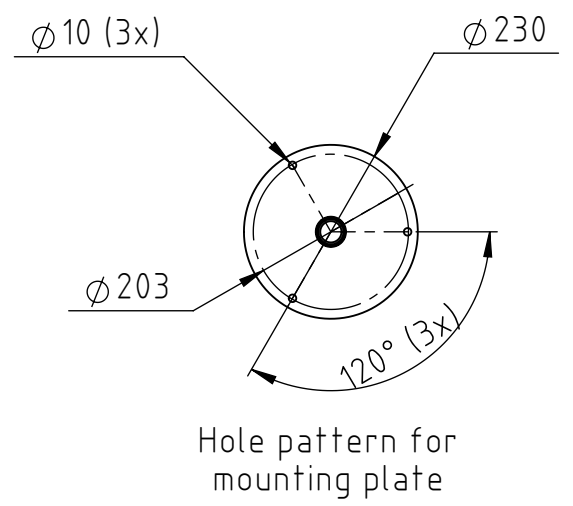
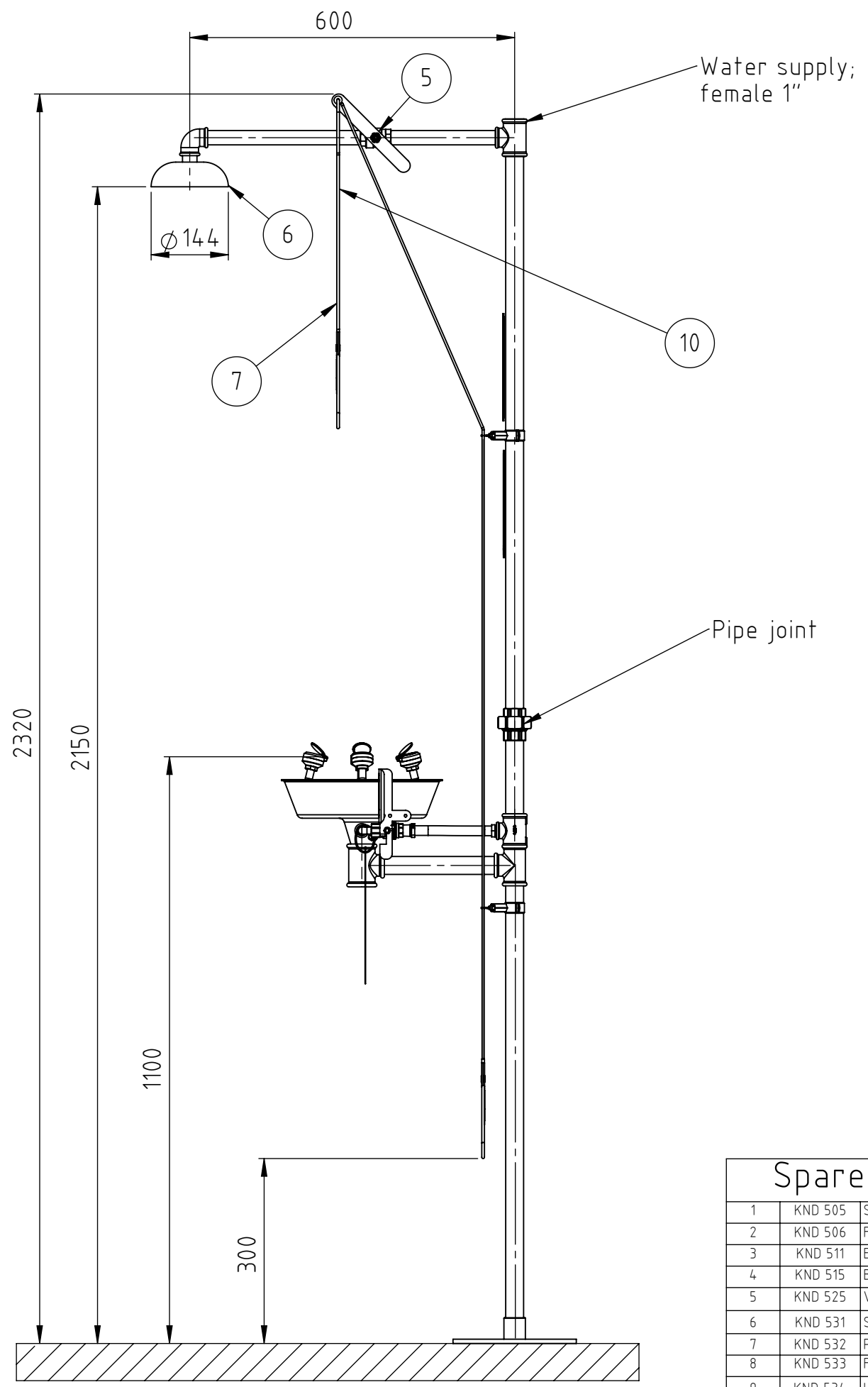


This document must not be copied without our written permission, and the contents thereof must not be imparted to a third party nor be used for any unauthorized purpose. Contravention will be prosecuted.



Revision Notice:
 This drawing is not the latest version for the product.
 Minor component modifications are forthcoming, but user impact will be negligible.
 Updated drawings expected in November 2023.

Spare parts list	
1	KND 505 Spray head
2	KND 506 Filter for spray head
3	KND 511 Eye/face wash outlet
4	KND 515 Ball valve with push plate
5	KND 525 Valve emergency shower
6	KND 531 Shower head
7	KND 532 Pull handle
8	KND 533 Flag
9	KND 534 Handle
10	KND 540 Complete pull rod
11	KND 540 Emergency sign, eye wash
12	KND 547 Emergency sign, shower

Företag/Company	Konstruerad Av/Designed by	Godkänd Av/Approved by	Datum/Date	Skala/Scale	
Krusman EMERGENCY SHOWERS	JB	MH	2020-06-23	1:10	
Benämning/Description				Format/Size	
Combination Shower 3873-00				A3	
Installation drawing				Ritningsnummer/Drawing number	
				R3873	
				Rev	Blad/Sheet
				0	1 (1)

+46 (0)21 14 92 00
 www.krusman.se