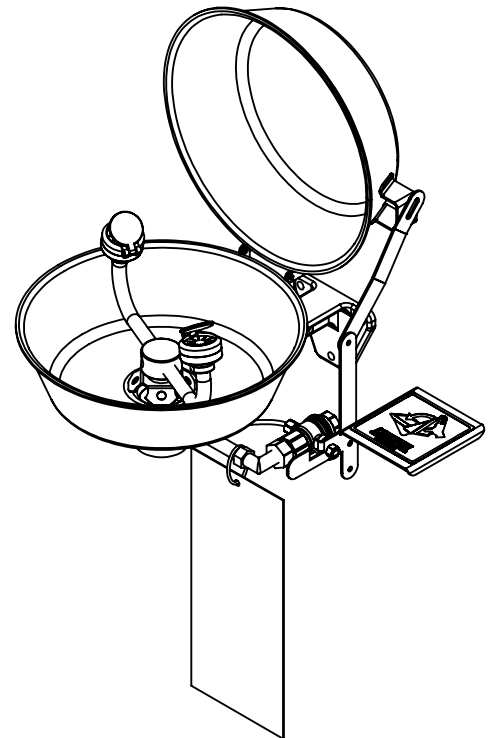
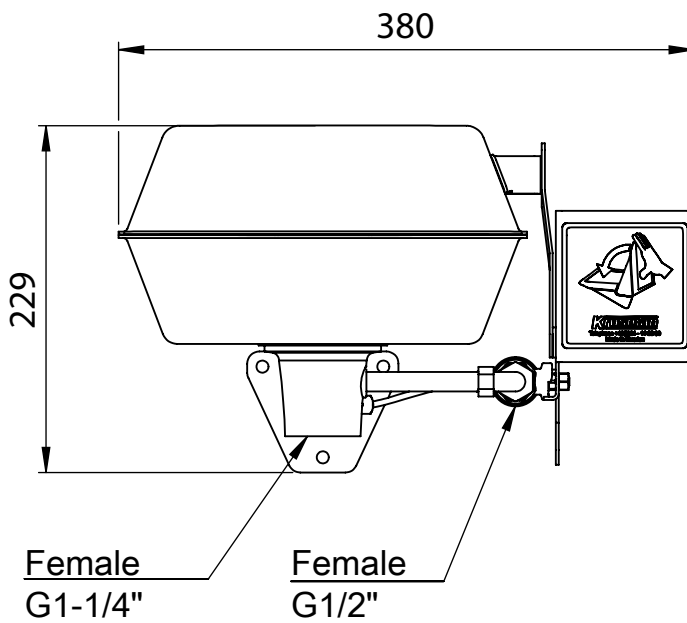
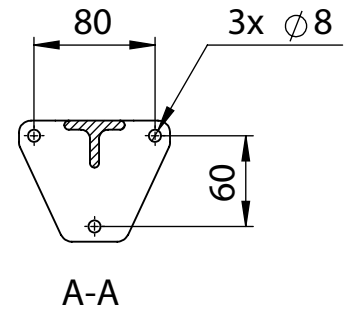


*Revision Notice:*  
 This drawing is not the latest version for the product.  
 Minor component modifications are forthcoming, but  
 user impact will be negligible.  
 Updated drawings expected in November 2023.



This document must not be copied without our written permission, and the contents thereof must not be imparted to a third party nor be used for any unauthorized purpose. Contravention will be prosecuted.

Consultant	Designed by <b>JHN</b>	Approved by <b>DK</b>	Date of approval <b>2014-12-15</b>	Scale <b>1:5</b>	
Owner <b>Krusman</b> EMERGENCY SHOWERS	Title <b>Eyewash</b> <b>3868-00</b>			General Tolerance <b>ISO 2768-m</b>	
Tel: +46-(0)21-14 92 00 Website: www.krusman.com				Drawing number	
				Rev -	Page <b>1 (1)</b>