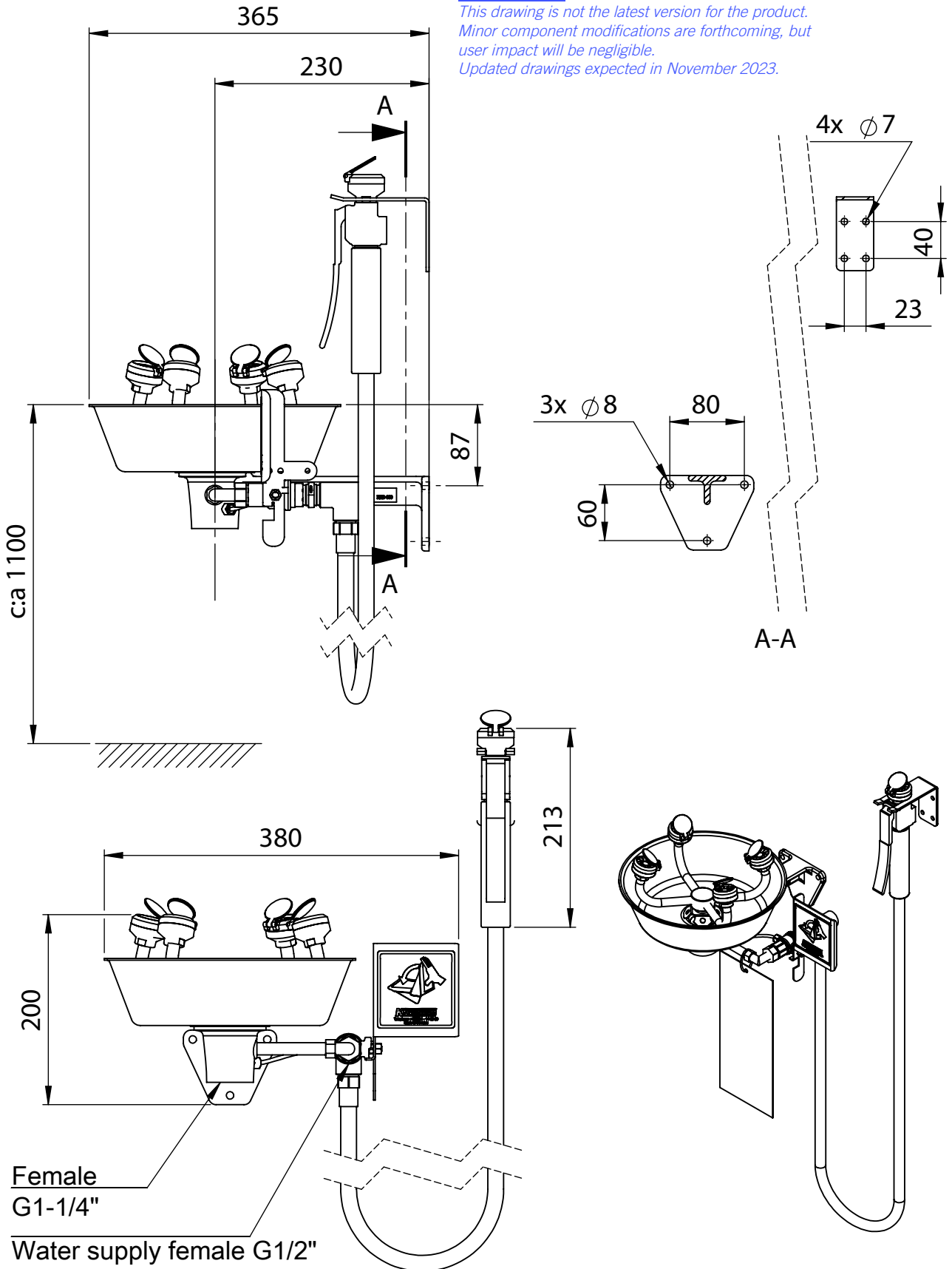


*Revision Notice:  
This drawing is not the latest version for the product.  
Minor component modifications are forthcoming, but  
user impact will be negligible.  
Updated drawings expected in November 2023.*



This document must not be copied without our written permission, and the contents thereof must not be imparted to a third party nor be used for any unauthorized purpose. Contravention will be prosecuted.

Consultant	Designed by <b>JHN</b>	Approved by <b>DK</b>	Date of approval <b>2014-12-18</b>	Scale <b>1:6</b>	
Owner <b>Krusman</b> EMERGENCY SHOWERS	Title <b>Eyewash</b> <b>3867-00</b>			General Tolerance <b>ISO 2768-m</b>	
Tel: +46-(0)21-14 92 00 Website: www.krusman.com				Drawing number	
				Rev -	Page <b>1 (1)</b>