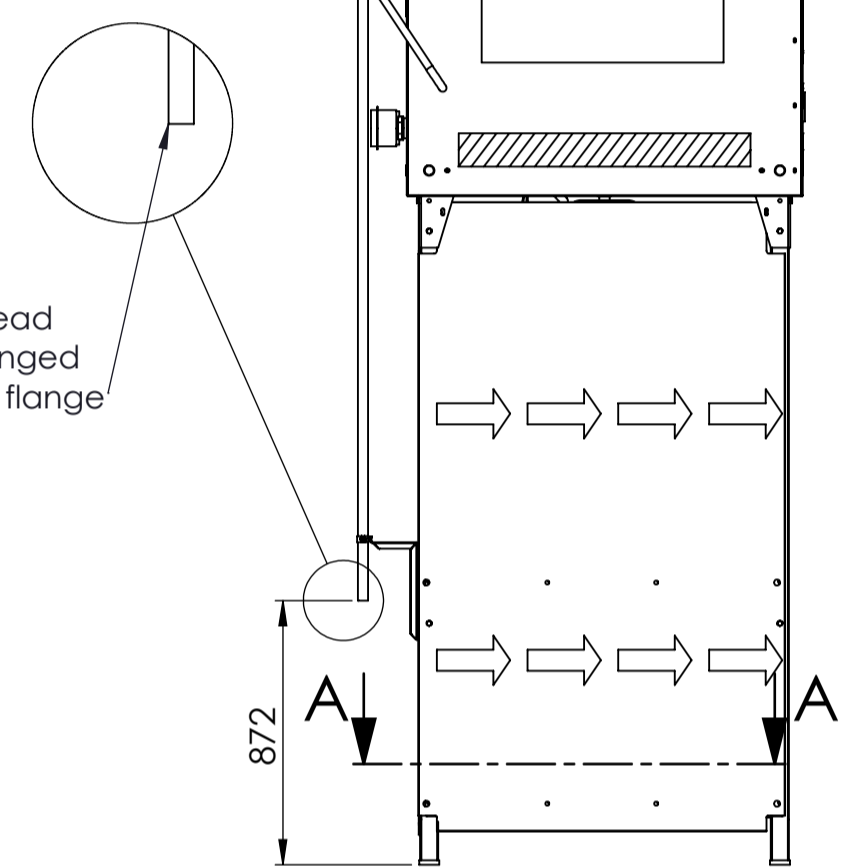
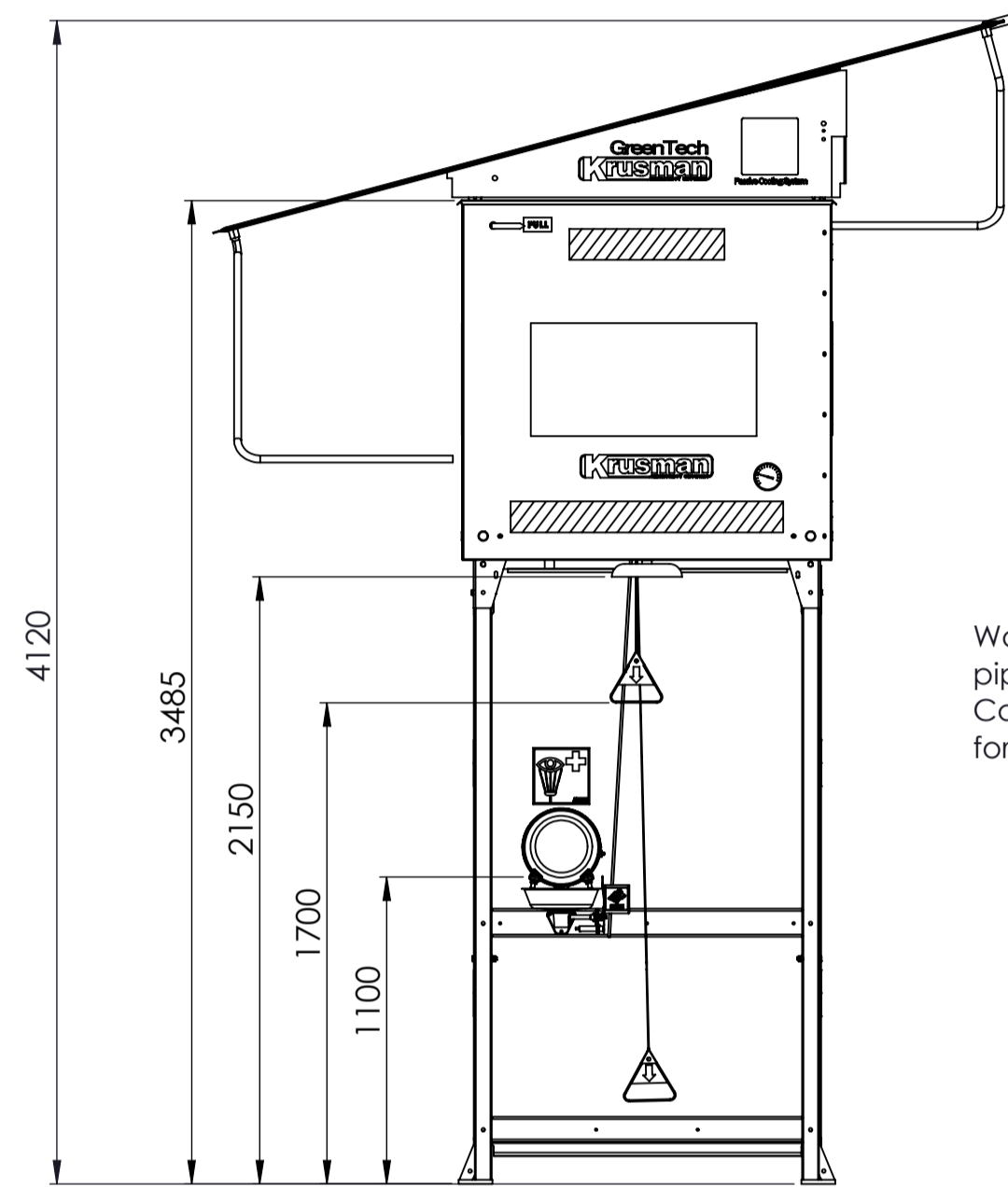
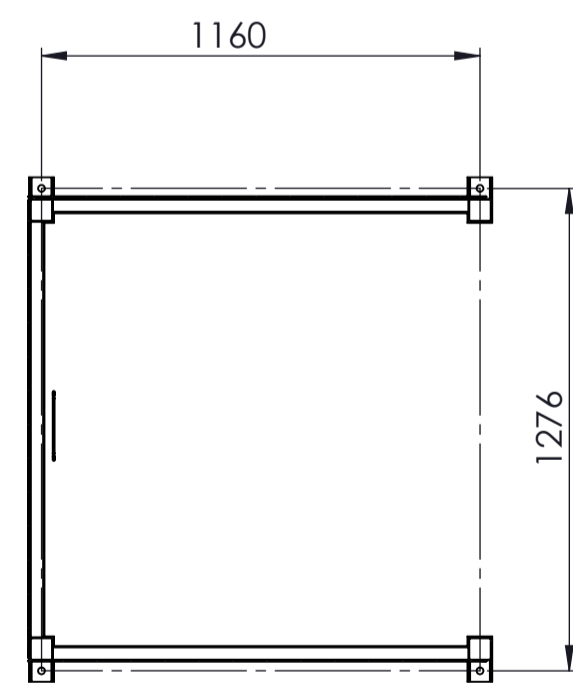
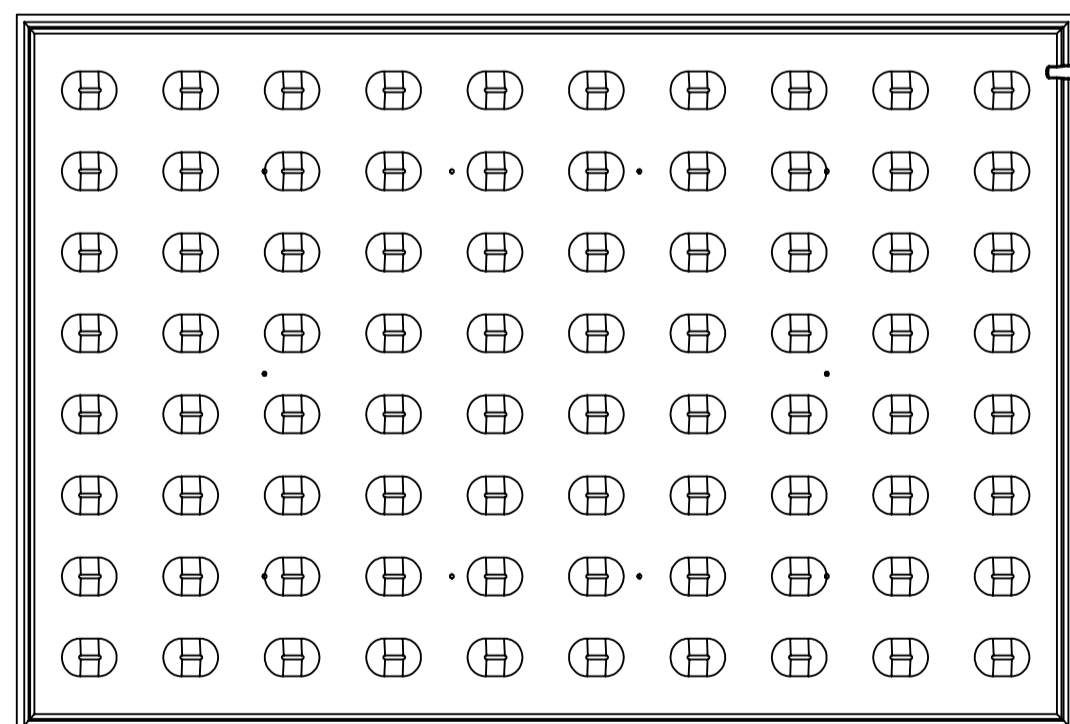
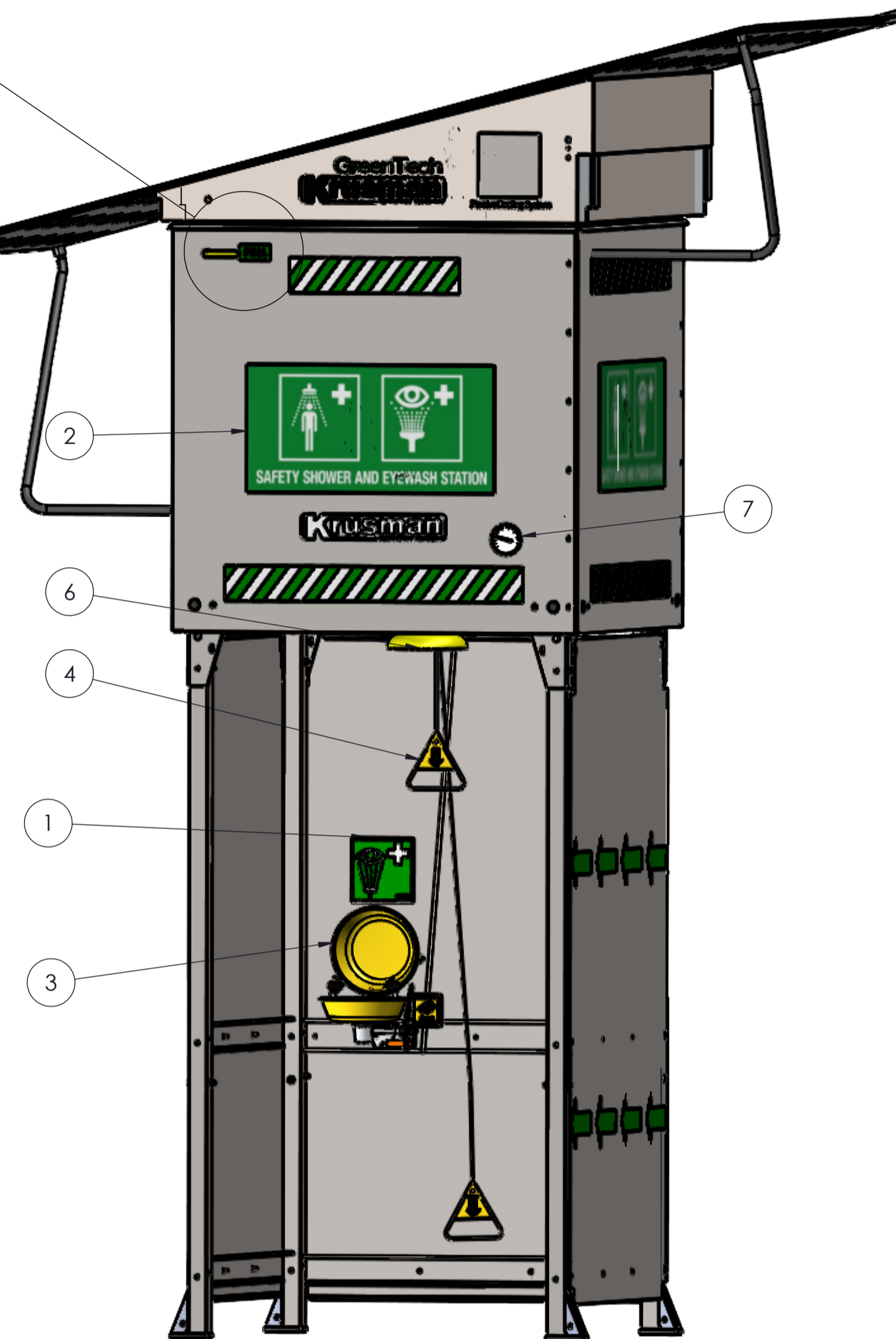
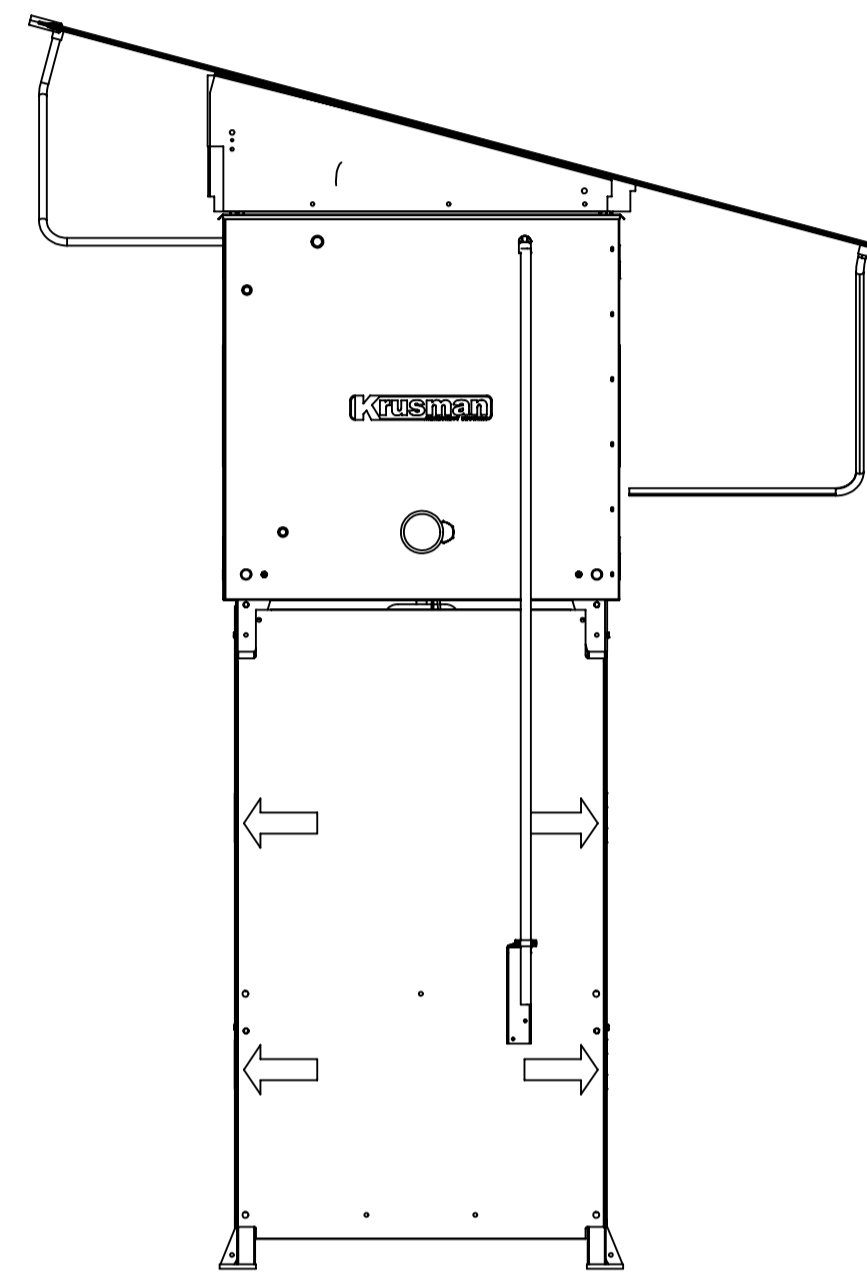


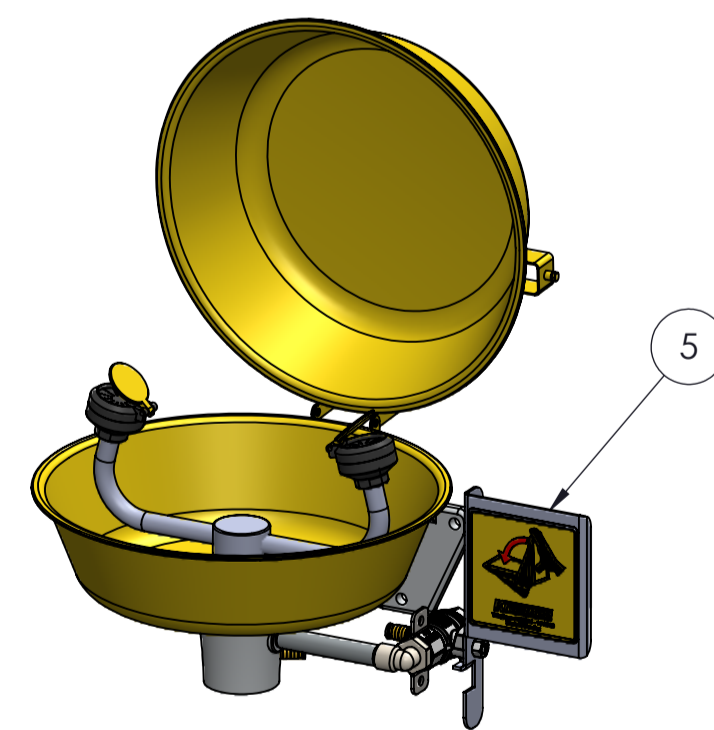
Level indicator



Water fill-up pipe 1" BSP thread  
Can be exchanged for camlock or flange



SECTION A-A



Eye wash unit with open dust cover

General information:  
Temperature controlled and insulated tank shower.  
Water volume 1400L.  
The tank shower is manufactured of SS304.  
The emergency shower is manufactured of SS316

Product design and performance in accordance with ANSI/ISEA Z 358.1 standards.

Flow rate emergency shower: 76l/m  
Flow rate emergency eyewash: 11,4l/m

Weight tank shower empty 350kg.

Notes:  
This drawing features a Tank Shower System with an eyewash unit.

System setup can be completely customized according to your requirements. Please contact us to help you design a system setup for your exact needs.

### Tank Shower model 7011 GreenTech PCS

Stainless steel tank shower

Insulated 1400L SS tank.

\*Equipment options to be customized according to customer requirements. Items shown in this generic drawing are common for the 7021 model.

Passive cooling powerless system

Pos	Qty	Description
8	1	GreenTech Passive Cooling Unit
7	1	Thermometer
6	1	Shower head 240mm, stainless steel
5	1	Ball valve DN15 with push plate
4	1	Pull rod, stainless steel
3	1	Eye wash unit with dust cover
2	1	Emergency sign, shower
1	1	Emergency sign, eye wash



Phone: +46-(0)21-14 92 00  
Website: www.krusman.com

Generic Example Drawing - Model 7011