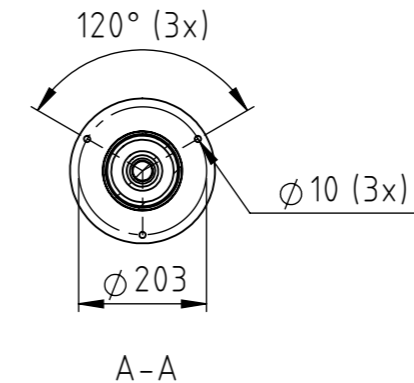
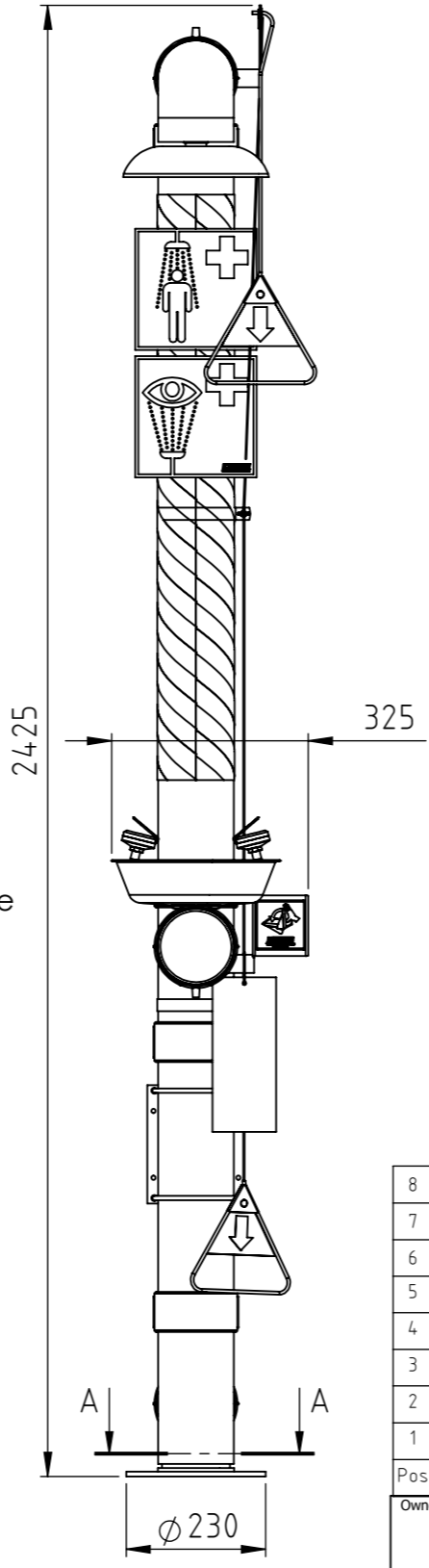
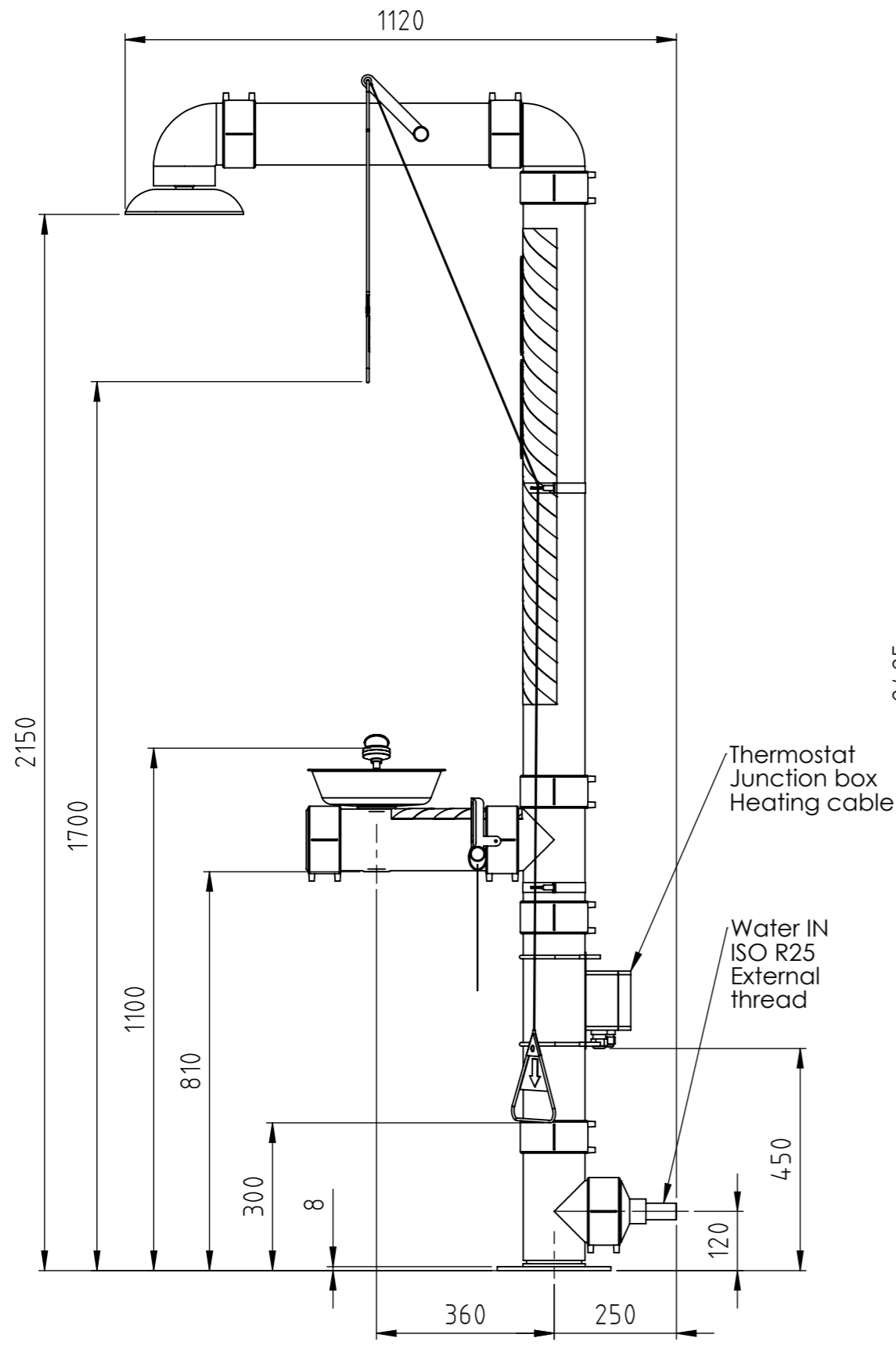
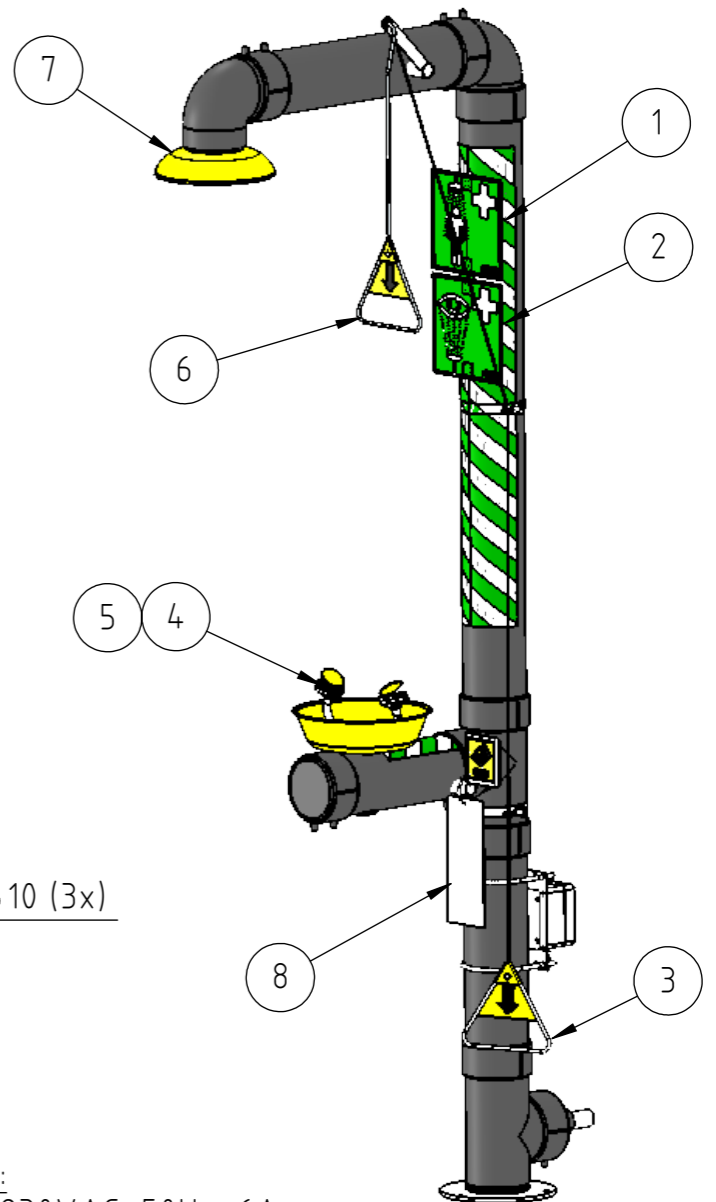


This document must not be copied without our written permission, and the contents thereof must not be imparted to a third party nor be used for any unauthorized purpose. Contravention will be prosecuted.



General information:  
 Power consumption 230VAC, 50Hz, 6A



Pos	Quantity	Order number	Description
8	1	KND549	Control card
7	1	KND530	Shower head, stainless steel
6	1	KND532	Pull rod, stainless steel
5	2	KND508	Filter to spray head, 14 litres/minute
4	2	KND507	Spray head, 14 litres/minute
3	1	KND540-100	Pull rod for disabled person
2	1	KND545	Emergency sign, eye wash
1	1	KND547	Emergency sign, shower

Rev.	Description	Date	Sign.
2	Drawing updated	2019-05-21	MM

Owner	Prepared by <b>MM</b>	Approved by <b>DK</b>	Date 2017-10-02	Scale 1:12	
<b>Krusman</b> EMERGENCY SHOWERS		Title <b>Emergency shower 3895</b>		Drawing No. <b>R3895</b>	
Phone: +46-(0)21-14 92 00 Website: www.krusman.com		Description <b>Insulated and heated combination shower</b>		Rev. 2	Sheet 1 (1)
		Installation drawing			