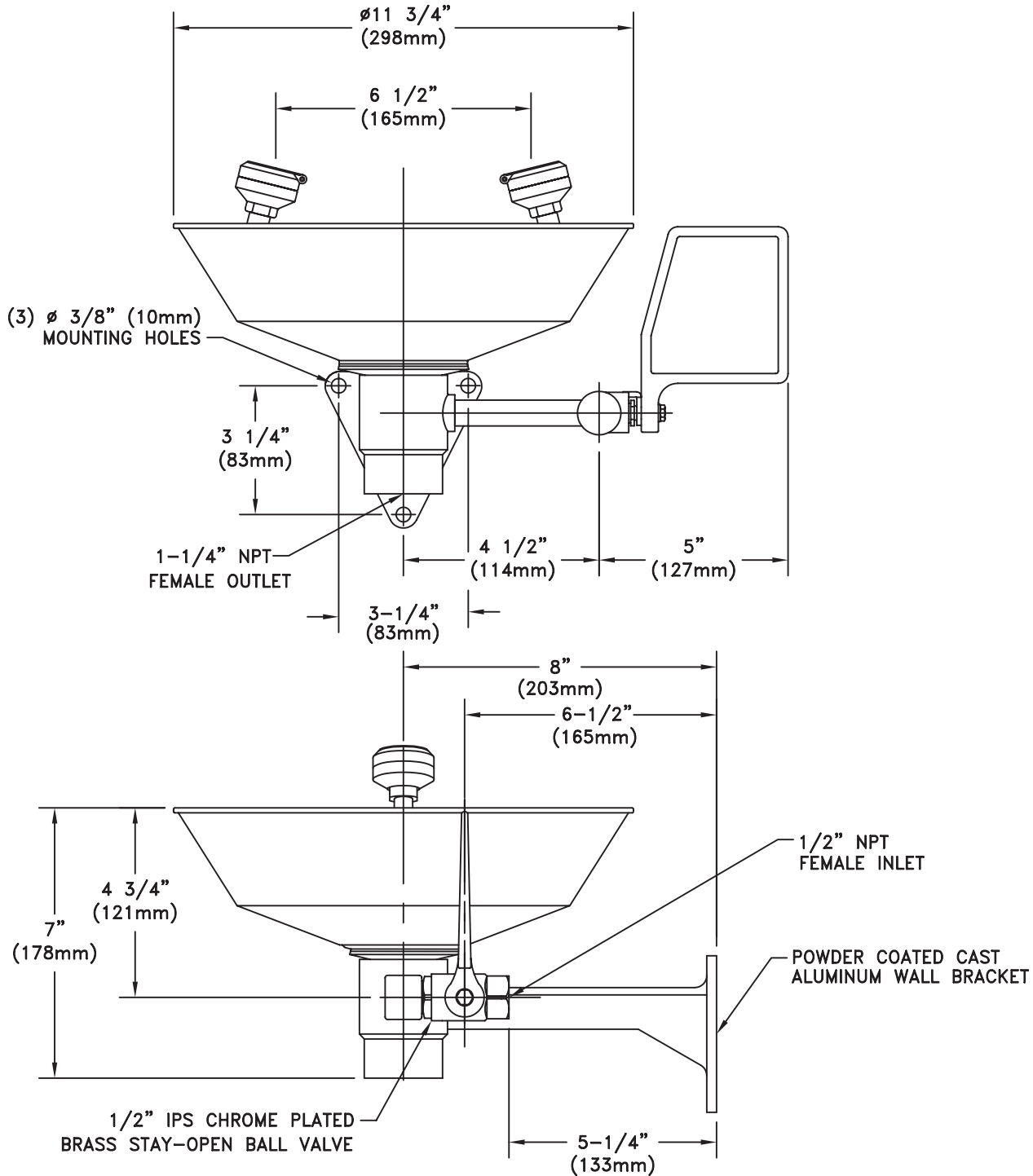


## KN1814P

WALL MOUNTED EYE WASH WITH TWO GS PLUS SPRAY HEADS, ABS PLASTIC BOWL AND STAY-OPEN BALL VALVE



UNITS (EXCEPT THOSE WITH SELF-CLOSING VALVES) COMPLY WITH THE REQUIREMENTS OF ANSI Z358.1.

TEST ALL EMERGENCY EQUIPMENT AT LEAST WEEKLY.

Drawing Number:     K201-142    

Approved: \_\_\_\_\_

Revision Number:     082404-TPS