

SP-G 15-20

Flow control switch for eye- and facewashes

Product information

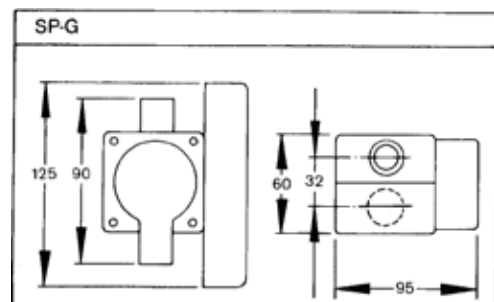
The SP-G and EF-G models are designed for smaller pipe dimensions with threaded process connections of 1/2" and 3/4".

The maximum flow capacity is 70 l/min and they are equipped with one fixed set-point. This set-point can be modified on site by simply replacing a calibrated disc and also the connections can be adapted to other dimensions by using nipples and reductions. The SP-G model has a mechanical micro switch and the EF-G has an inductive proximity switch.



Technical information

Max working pressure	25 bar
Max temperature standard	90°C (194°F)
Max temperature spec break	150°C (302°F)
Min temperature	-20°C (-4°F)
Min signal point	ca 1,5 l/min
Max signal point	ca 30 l/min
Max hysteresis	±10%
Pressure fall	0,03 bar
Protection acc. to IEC 144	IP 43
Isolation acc. to SEN 2106	2



Visiting address

Metallverksgatan 12
SE-721 30 Västerås

Postal address

Box 404
SE-721 08 Västerås

Tel +46 (0)21-14 92 00

Fax + (0)21-14 92 50

www.krusman.com

Krusman

We ensure safety in risky environments